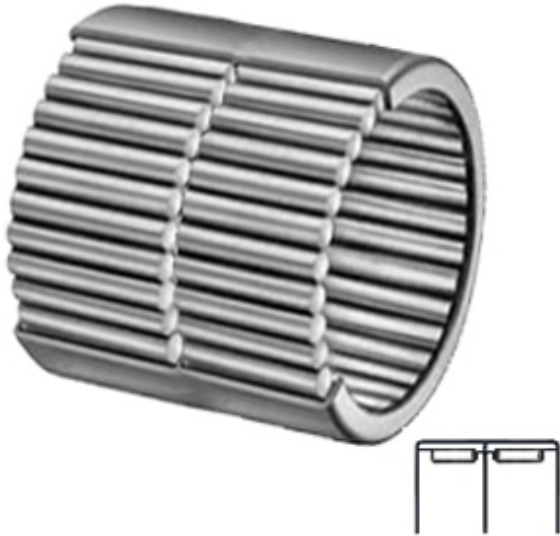




# BEARING DRIVESHAFT, INC.



GR 8 N Bearing 2D drawings and 3D CAD models

0.5 Inch | 12.7 Millimeter x 1 Inch | 25.4  
 Millimeter x 0.75 Inch | 19.05 Millimeter MCGILL  
 GR 8 N Needle Non Thrust Roller Bearings

Bearing No. GR 8 N

Category	Needle Non Thrust Roller Bearings
Inventory	0.0
Manufacturer Name	REGAL BELOIT
Minimum Buy Quantity	N/A
Weight	0.046
EAN	0726166061159
Product Group	B04144
Rolling Element	Needle Roller Bearing
Component	Roller Assembly with Outer Ring - No Inner Ring
Enclosure	Open
Self Aligning	No
Retainer	No
Number of Rows of Rollers	Double Row
Separable	No
Closed End	No
Inch - Metric	Inch
Relubricatable	Yes
Thrust Bearing	No
Long Description	1/2" Bore; 1" Outside Diameter; 3/4" Width; Needle Roller Bearing; Roller Assembly with Outer Ring - No Inner Ring; Open Enclosure; No Self Aligning; No Retainer; Double Row



## BEARING DRIVESHAFT, INC.

	of Rollers;
Other Features	1 Rib Outer Ring   Full Complement   Heavy Duty   Narrow Width   Oil Hole
Category	Needle Non Thrust Roller Bearing
UNSPSC	31171512
Harmonized Tariff Code	8482.40.00.00
Noun	Bearing
Keyword String	Needle
Manufacturer URL	<a href="http://www.emerson-ept.com">http://www.emerson-ept.com</a>
Manufacturer Item Number	GR-8-N
Manufacturer Internal Number	5000860000
Weight / LBS	0.101
d	0.5 Inch   12.7 Millimeter
D	1 Inch   25.4 Millimeter
B	0.75 Inch   19.05 Millimeter