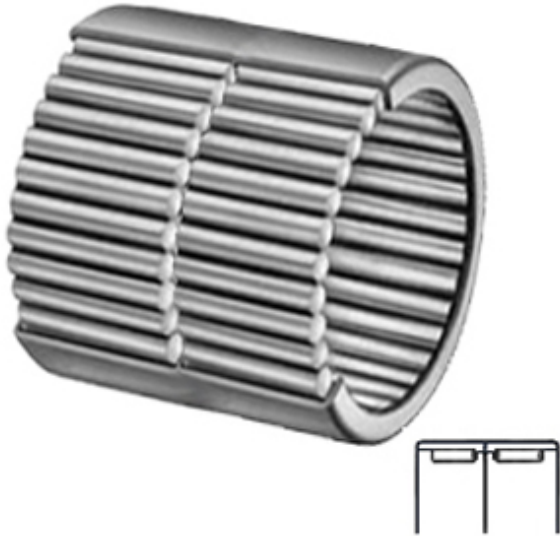




BEARING DRIVESHAFT, INC.



GR 36 Bearing 2D drawings and 3D CAD models

2.25 Inch | 57.15 Millimeter x 3 Inch | 76.2
 Millimeter x 1.75 Inch | 44.45 Millimeter MCGILL
 GR 36 Needle Non Thrust Roller Bearings

Bearing No. GR 36

Category	Needle Non Thrust Roller Bearings
Inventory	1.0
Manufacturer Name	REGAL BELOIT
Minimum Buy Quantity	N/A
Weight	0.558
EAN	0726166062521
Product Group	B04144
Rolling Element	Needle Roller Bearing
Component	Roller Assembly with Outer Ring - No Inner Ring
Enclosure	Open
Self Aligning	No
Retainer	No
Number of Rows of Rollers	Double Row
Separable	No
Closed End	No
Inch - Metric	Inch
Relubricatable	Yes
Thrust Bearing	No
Long Description	2-1/4" Bore; 3" Outside Diameter; 1-3/4" Width; Needle Roller Bearing; Roller Assembly with Outer Ring - No Inner Ring; Open Enclosure; No Self Aligning; No Retainer; Double Row



BEARING DRIVESHAFT, INC.

	of Roll
Other Features	1 Rib Outer Ring Full Complement Heavy Duty Oil Hole
Category	Needle Non Thrust Roller Bearing
UNSPSC	31171512
Harmonized Tariff Code	8482.40.00.00
Noun	Bearing
Keyword String	Needle
Manufacturer URL	http://www.emerson-ept.com
Manufacturer Item Number	GR-36
Manufacturer Internal Number	5003600000
Weight / LBS	1.23
d	2.25 Inch 57.15 Millimeter
D	3 Inch 76.2 Millimeter
B	1.75 Inch 44.45 Millimeter